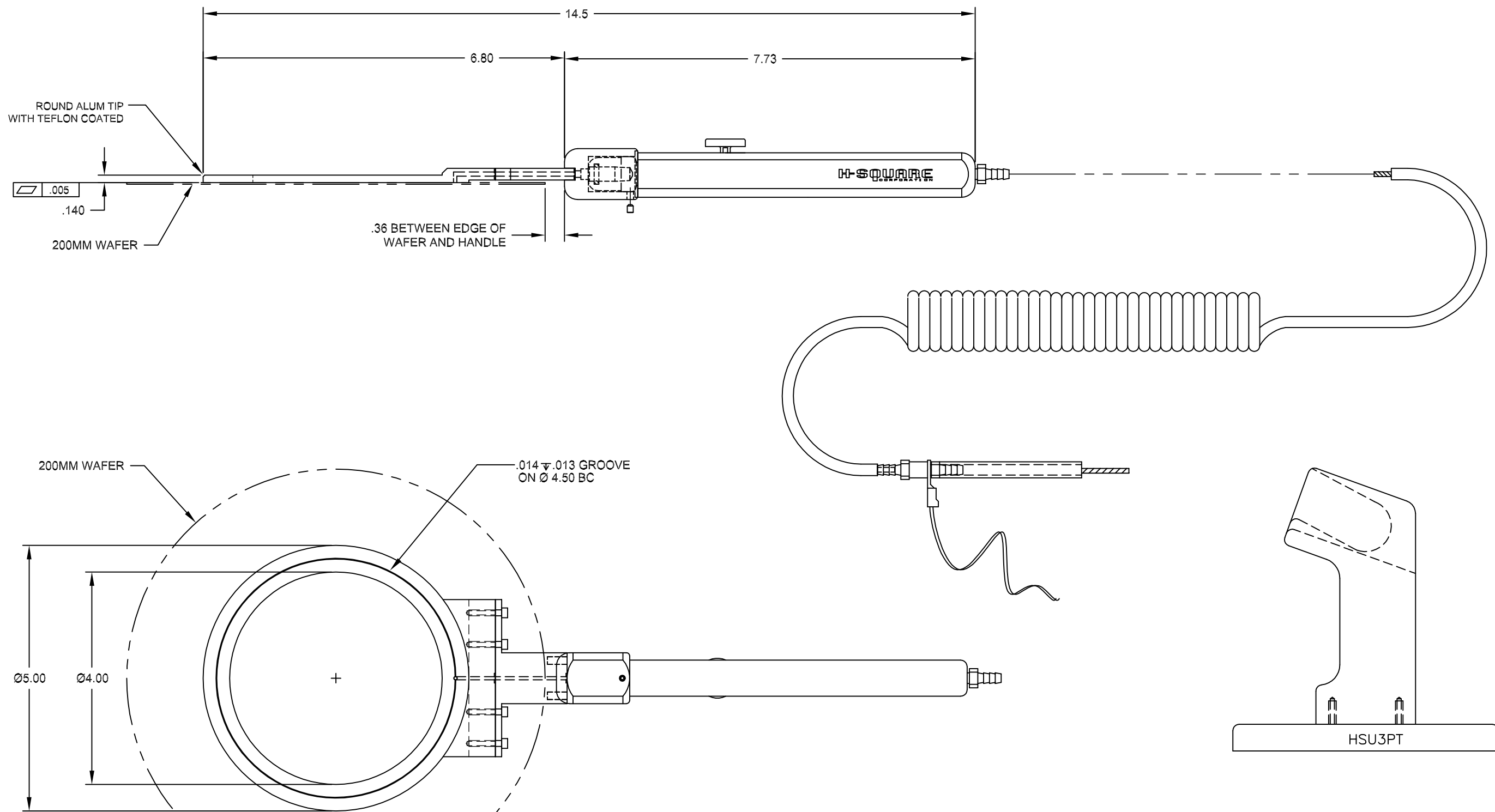


PROPRIETARY NOTE:
 THIS DOCUMENT IS THE PROPERTY OF H-SQUARE CORPORATION AND CONTAINS PROPRIETARY AND CONFIDENTIAL INFORMATION AND IS NOT TO BE COPIED OR DUPLICATED IN ANY WAY WITHOUT WRITTEN PERMISSION FROM H-SQUARE CORPORATION. SPECIFICATIONS SUBJECT TO CHANGE WITHOUT NOTICE.

REV	DESCRIPTION	DRAWN BY	DATE	APPROVED
P1	PROPOSAL DRAWING	MG	4/19/11	WD

- NOTES: (UNLESS OTHERWISE SPECIFIED)
- BAG AND TAG (USING .12 CHARACTER HEIGHT MARK WITH PART NO., REV AND MFR ID).



UNLESS OTHERWISE NOTED DIMENSIONS ARE IN INCHES AND INCLUDE CHEMICALLY APPLIED OR PLATED FINISHES	DRAWN BY: M.GOEBEL DATE: 4/19/11	H-SQUARE CORPORATION
	APPROVED BY: W.DOHERTY DATE: 4/19/11	
TOLERANCES: X ±.05 .XX ±.01 .XXX ±.005 ∠ ±1	FRACTION: ±1/64	RND TIP/WAND ASSY, 150MM, STRAIGHT ADPTR
THREADS CLASS 2 PER ASA Y14.6 REMOVE BURRS AND SHARP EDGES COML TOL APPLY TO STOCK SIZES	MATERIAL: SEE BOM	DRAWING NBR: MISC1400-XXX REV P1
SURFACE FINISH 32- DO NOT SCALE THIS PRINT	FINISH: - PER H2 SPEC 400421	SCALE 1:1 CAD PROGRAM: AUTOCAD 2000i SHEET 1 OF 1